

# FIXED GAUGE SURVEY FORM

Date: \_\_\_\_\_ Individual Performing Survey: \_\_\_\_\_

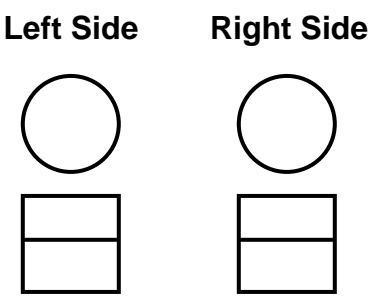
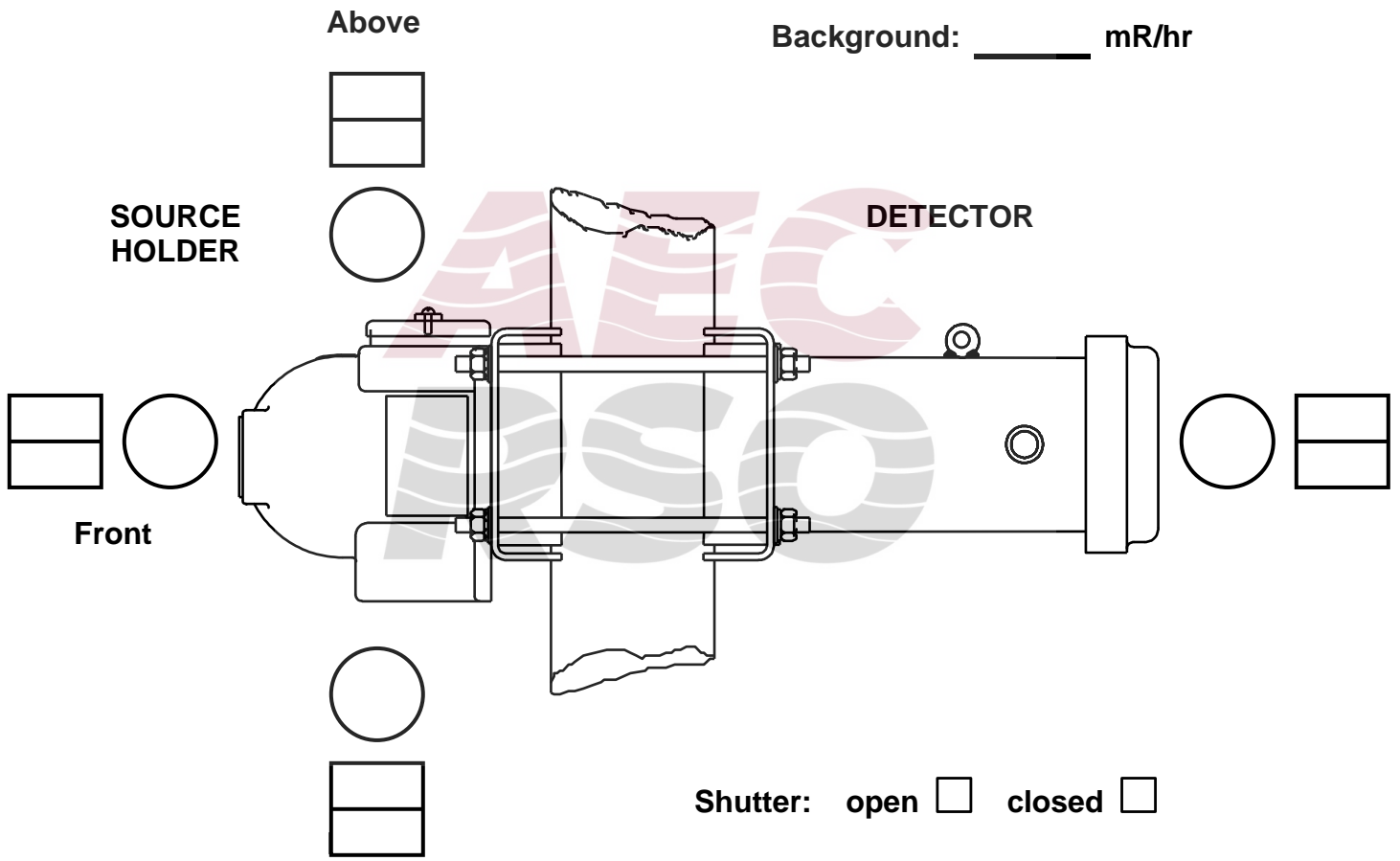
Survey Meter Manufacturer & Model No.: \_\_\_\_\_

Survey Meter Serial No.: \_\_\_\_\_ Survey Meter Calibration Date: \_\_\_\_\_




Gauge Make & Model No.: \_\_\_\_\_ Gauge Serial No.: \_\_\_\_\_

Source Make & Model No.: \_\_\_\_\_ Source Serial No.: \_\_\_\_\_

Source Isotope: \_\_\_\_\_ Source Estimated Activity: \_\_\_\_\_



**SYMBOL KEY**

-  12 inches - \_\_\_\_\_ mR/hr
-  5 mR/hr at \_\_\_\_\_ ft.
-  2 mR/hr at \_\_\_\_\_ ft.